

PIEZO BUTTON

HEAVY DUTY, PIEZOELECTRIC PUSH BUTTON



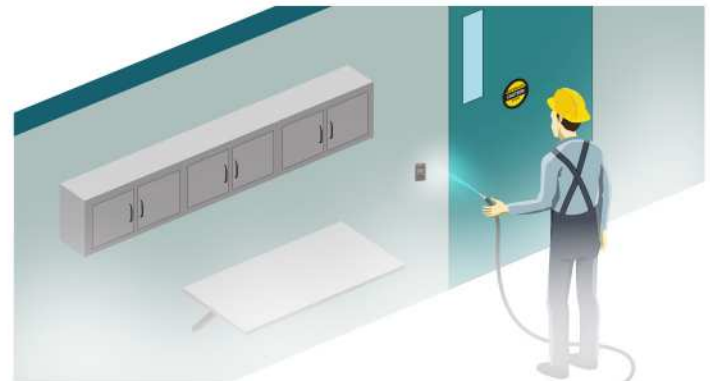
SHOWN ABOVE IN ALL THREE ILLUMINATION STATES:
RED, GREEN, OFF

DESCRIPTION

BEA's Piezo Button is a heavy-duty button, with a stainless steel faceplate appropriate for extreme environments, such as outdoor and industrial applications. This push button utilizes piezoelectric technology to convert physical touch (pressure) of the push button from mechanical to electrical energy.

The Piezo Button has an adjustable output timer ranging from 1 to 40 seconds.

PRIMARY APPLICATIONS



FEATURES & BENEFITS

- 1 – 40 second, user-adjustable output hold time
- Can be configured to fail-safe or fail-secure
- Can be wired normally open or normally closed
- Fits standard, single gang mounting boxes
- LED illumination can be customized to user preference
- Vandal / tamper resistant design

CÓDIGO	SKU	MODELO	DESCRIPCIÓN
BE-00017-00	10PIEZO241	10PIEZO241	BOTON TACTO PIEZOELECTRICO MOD.10PIEZO24

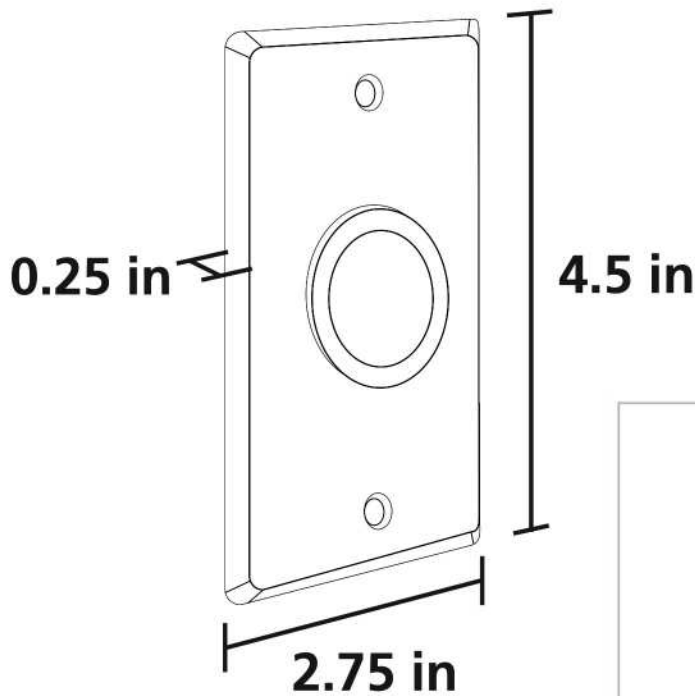




TECHNICAL SPECIFICATIONS

Technology	Piezoelectric
Faceplate Dimensions	Single Gang - 2.75 in (W) x 4.5 in (H)
LED Configuration	Illuminated Red / Green ring that signals activation, which can also be disabled
Materials	Stainless steel faceplate with tamper-resistant screws
Switch Rating	2 A @ 30 VDC 500 mA @ 125 VAC
Hold Time Range (adjustable)	1 s – 40 s
Voltage Input	12 – 24 VDC (auto-sensing)
Relay	DPDT
Operating Temperature	-40 °F – 160 °F
Norm Conformance	NEMA 4 / IP65

DIMENSIONAL DRAWINGS



APPLICATIONS



RELATED PRODUCTS



10PIEZO241
SINGLE,
TEXT ONLY



10BOX245GSM
STANDARD
SURFACE MOUNT

